



MiLED LED Display

Instructions for use



Table of contents

1	Introduction	3
2	Hazard warnings	3
3	Intended use	4
4	Scope of delivery.....	5
5	Assembly	7
5.1	Assembly on a twall [®] or twall [®] PLUS	7
5.2	Connecting the cables.....	10
5.2.1	<i>Connecting to a twall[®]</i>	10
5.2.2	<i>Connecting to a twall[®] PLUS</i>	10
5.2.3	<i>Assembly without twall[®]</i>	10
6	Operation and programming.....	11
7	Adjusting the brightness	11
8	Technical data.....	11
9	Contact.....	12

1 Introduction

Congratulations on the purchase of your MiLED Display!

The MiLED display is designed as an additional twall® display, but can also be used autonomously. Self-created text or graphics can be displayed independently from the twall®.

An automatic switch of displays between the game stands and the self-created texts and graphics takes place as an additional twall® display.

Please read the hazard warnings carefully before first use and follow the assembly instructions and instructions for use.

2 Hazard warnings

Always ensure basic safety precautions have been taken when you use your MiLED display, in order to minimise risk of injury from the display falling down or from electric shock.

Carefully read and make sure you have understood all the instructions in these instructions for use.

Always use an earthed power supply with the correct mains voltage. Should you not be sure whether your supply is earthed, please get a qualified expert to check.

The MiLED display may only be operated with the power supply included in the scope of delivery or directly on the twall® or twall® PLUS. Only original components may be used. The selected cables prevent reverse polarity. The device may not be operated if the mains cable is damaged.

Do not assemble and use your MiLED display in close proximity to water, or if you are wet.

To prevent the MiLED display from falling, make sure it has been properly mounted and that the screws are tight. This must be checked regularly. The safety elements such as e.g. springs listed in the assembly instructions must be used for installation.

Assemble the MiLED display at a protected location, ensuring that no one can step on or trip over cables and damage these. Only wire you MiLED display when the device is turned off.

Before cleaning, unplug the display from the mains. Use a damp cloth for cleaning. Avoid using cleaning agents and make sure that no liquids enter the device.

The inside of your MiLED display does not contain any parts to be serviced by the user. Maintenance and repairs must be carried out by qualified staff only. The warranty will automatically become void if the device has been tampered with (for repair or other) by a third party.

Please keep these operating instructions in a safe place!

3 Intended use

The display is designed as an independent display of self-created texts as well as accessories for the twall® and twall® PLUS. It is used for the display of game stands or other information via an LED matrix.



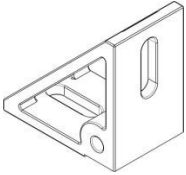
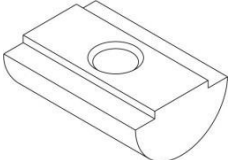
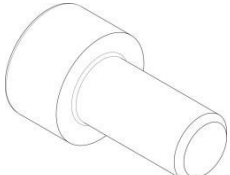
The device is connected to your twall® using the included fastening material. Power is supplied either by direct connection to your twall® or with the included separate power adapter.

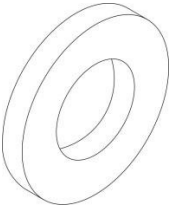
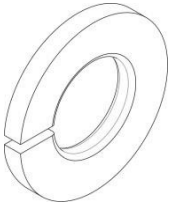

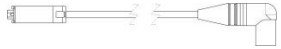

Before use, ensure that the display is assembled safely. Games using balls or other objects which can transfer a high impulse on the display, are not permitted.

The device is not suited for unprotected outdoor use.

4 Scope of delivery

Please check the completeness of your delivery according to the following table.

No.		Description	Quantity
1		Display	1
2		Operating Instructions	1
3		Brackets 48x48mm	2
4		Slot nut M6	2
5		Hex head screw M6x16-8.8	4

6		Washer A6.4	4
7		Spring washer B6	4
8		XLR Connection cable	1
9		XLR-RS232 Connection cable	1
10		Power adapter	1

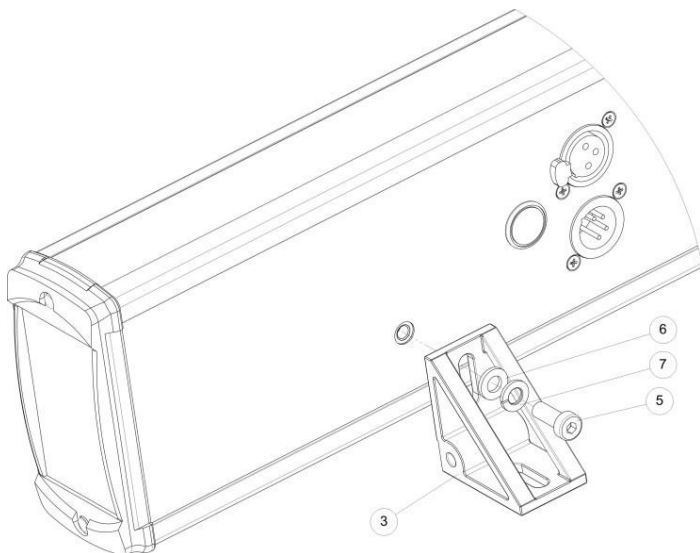
5 Assembly

5.1 Assembly on a twall[®] or twall[®] PLUS

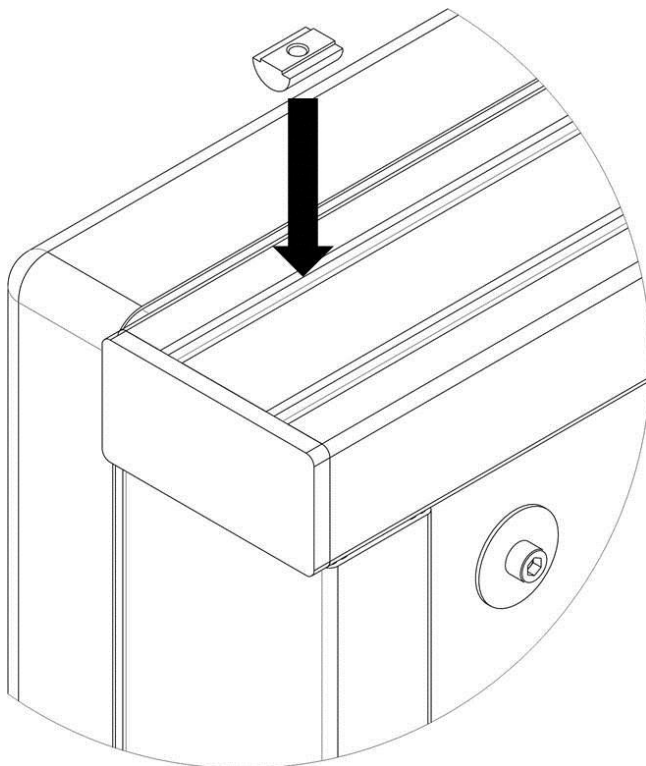
It is essential that all parts included in the scope of delivery are used according to the operating instructions.

The holder of the MiLED display is designed in such a way that it can be installed on the lateral profiles of the twall[®] and twall[®] PLUS.

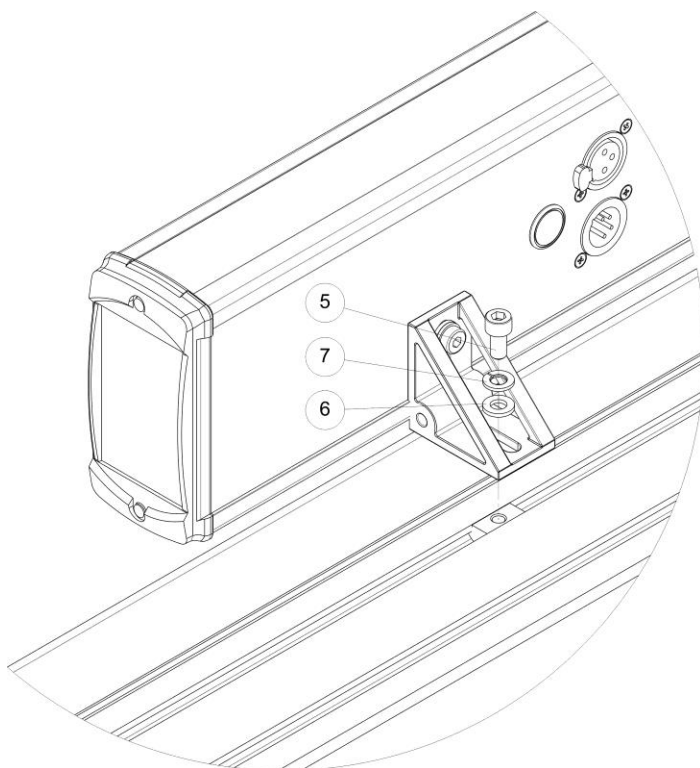
1. Affix both brackets (3) using the supplied screws (5), washers (6) and springs (7) to the rear of the display (1). Use the drill holes on the rear of the display for this.



2. Assemble the display (1) over the brackets (3) on the twall® or twall® PLUS. Swivel the slot nuts (4) included in the scope of the delivery into the groove of the twall® lateral profiles. If you have difficulties in installing the slot nuts into the groove, for easier assembly, you can also remove the end caps of the aluminium profile and slide the slot nut into the groove sideways.



3. Screw the display to the slot nuts using the supplied screws (5), washers (6) and springs (7). Position the display as requested along the lateral profile before tightening the screw connections. We recommend a central positioning above the twall® game area.



5.2 Connecting the cables

5.2.1 *Connecting to a twall®*

When using a twall®, game information such as time and game stands can be displayed on the MiLED display. For this, please connect the supplied cable (9) between the twall® rear (connection RS232) and the MiLED display (connection XLR).

Finally, connect the power adapter (10) supplied to the display.

5.2.2 *Connecting to a twall® PLUS*

If you are using a twall® PLUS, the supplied power adapter (10) is not required. Your twall® PLUS table takes care of the power supply.

Connect the MiLED display to the twall® PLUS using the supplied XLR connection cable (8). To attach the cable to the rear of the twall® PLUS, you must remove one of the two terminators (angle plug with LED) and instead, connect the XLR connection cable. When turning on the twall® PLUS, the connected display is automatically detected.

5.2.3 *Assembly without twall®*

For assemblies without the twall®, connect the supplied power adapter (10) to the display.

6 Operation and programming

The MiLED display is exclusively operated and programmed via the MiLED app. The app as well as the relevant instructions are available free-of-charge at the Google Play Store.

7 Adjusting the brightness

You can adjust the brightness of the display to the surrounding lighting via the app as well as with the button at the back of the display. For this, hold down the button until the desired brightness is achieved.

8 Technical data

Dimensions (L x H x D)	880 x 110 x 55 mm
Number of characters:	16 characters
Number of rows:	1
Character height:	approx. 70 mm
Character set:	alphanumeric display
Brightness:	adjustable
Power supply:	24 V DC / 2.5 A interfaces:CAN; RS232; wireless
Connections:	CAN / power supply XLR (4-pin); RS232 XLR (3-pin)

9 Contact:

To open a service ticket please contact:

service@imm-electronics.de

For quick help and processing we need the following information from you:

- Customer number, telephone, email address
- Product description and serial number
- Description of the problem
- Is the display operated independently or on a twall®?

Manufacturer:



IMM electronics GmbH
Leipziger Straße 32
09648 Mittweida
www.imm-electronics.de